



# SX PERFORMANCE™ EFI & CARBURETED SLIM-LINE ELECTRIC FUEL PUMP

## DESIGN FEATURES:

- ❖ Compact design permits easy-mounting in tight locations
- ❖ Flow-thru design keeps motor and pump components cool even under harsh conditions
- ❖ Rated flow of 67 GPH (255 LPH) at 45 PSI and 12 volts
- ❖ Machined from 6061-T651 Aircraft Grade Aluminum Alloy for extended component life
- ❖ Laboratory-tested and certified roller vane design developed exclusively by SX Performance
- ❖ Protective finish is Military Specification MIL-A-8625 Type II Anodize with Type III Hard coat applied to high wear areas
- ❖ 8-AN inlet and 6-AN outlet ports
- ❖ Compatible with all 12-15 volt systems
- ❖ Separate mounting straps and rubber insulators for universal mounting

SX Performance™ In-Line Electric Fuel Pumps are designed for high horsepower carbureted and fuel injected engines. Our high pressure fuel pump design moves higher volumes of fuel at a much greater velocity than our competitors. Now you can have the volume of fuel you need, where it's needed, when it's needed.

Make no mistake about it, SX Performance™ has created the most reliable fuel pumps in the world today that handle high pressure/high volume or low pressure/high volume fuel systems.

So no matter what you're running, our pumps provide excellent flexibility letting you switch between fuel injected and carb systems simply by changing the regulator.

### MODELS/COLORS AVAILABLE:

- 18208-1 RED/CLEAR
- 18208-2 BLUE/CLEAR
- 18208-3 PURPLE/CLEAR
- 18208-4 BLACK/BLACK



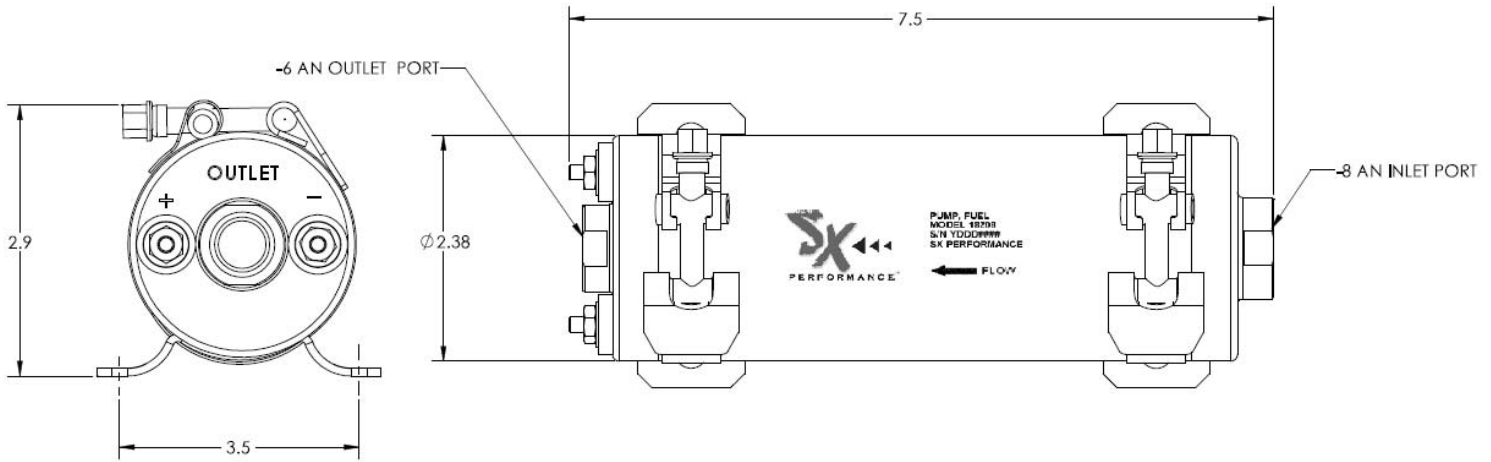
**A more intelligent approach to performance.**



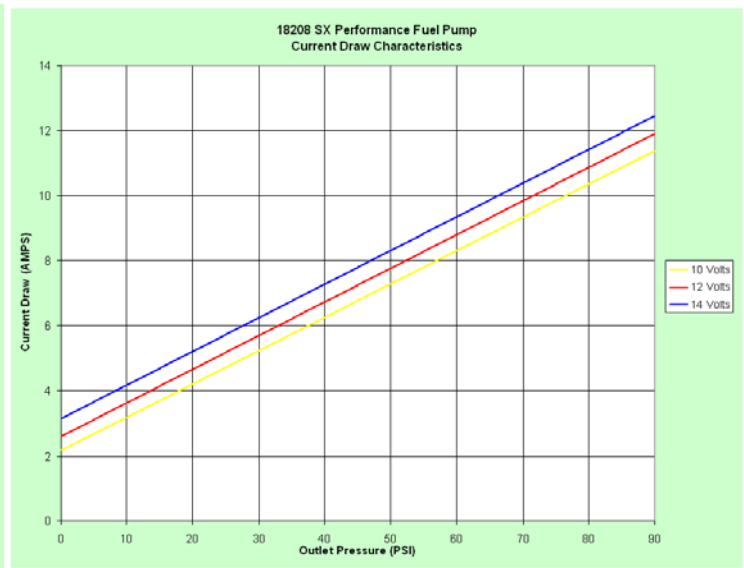
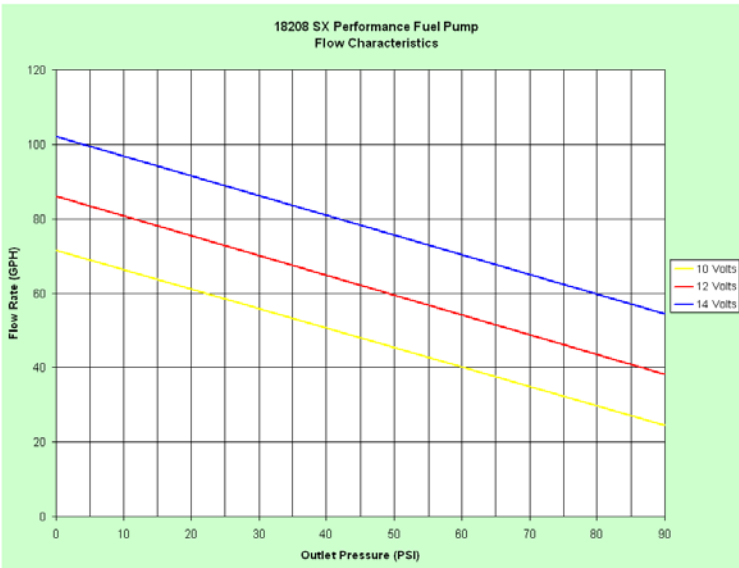
**www.sx-performance.com**

**314.644.3000**

## DIMENSIONAL SPECIFICATIONS:



## PERFORMANCE SPECIFICATIONS:



## **WARRANTY:**

To the original retail purchaser of an SX Performance™ product, SX Performance™, subject to the conditions incorporated in this Limited Warranty, warrants that its 18208 Electric Fuel Pumps are free from defects in material and workmanship for a period of one (1) year from the date of original retail purchase.

The maximum liability of SX Performance™ in connection with this warranty shall not under any circumstances exceed the contract price of the product claimed to be defective.

Under no circumstance shall SX Performance™, or agent(s) thereof, be liable for any loss or damage, direct or consequential, arising out of the use or inability to use this product.

In the event of a defect in workmanship or material of the products, SX Performance™ will repair or replace the warranted product, or any defective part(s) thereof, at the discretion of SX Performance™, without charge to the original retail purchaser for such repair or replacement.

All SX Performance™ Limited Warranties do not apply to labor, material or other incidentals in connection with the removal and/or replacement of such defective product on the original retail purchaser's vehicle.

**SX PERFORMANCE™ PRODUCTS ARE MADE WITH PRIDE IN THE USA**